


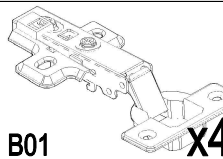
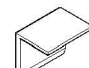
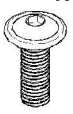

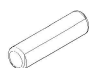
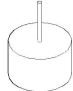
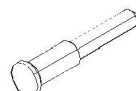

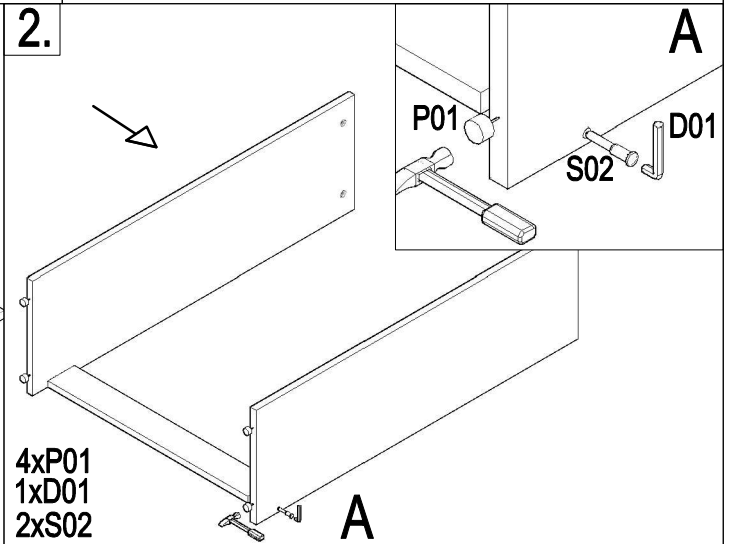
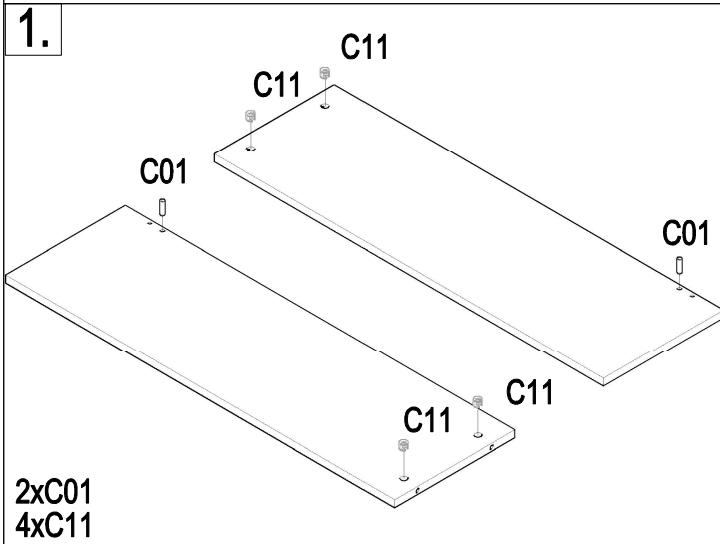
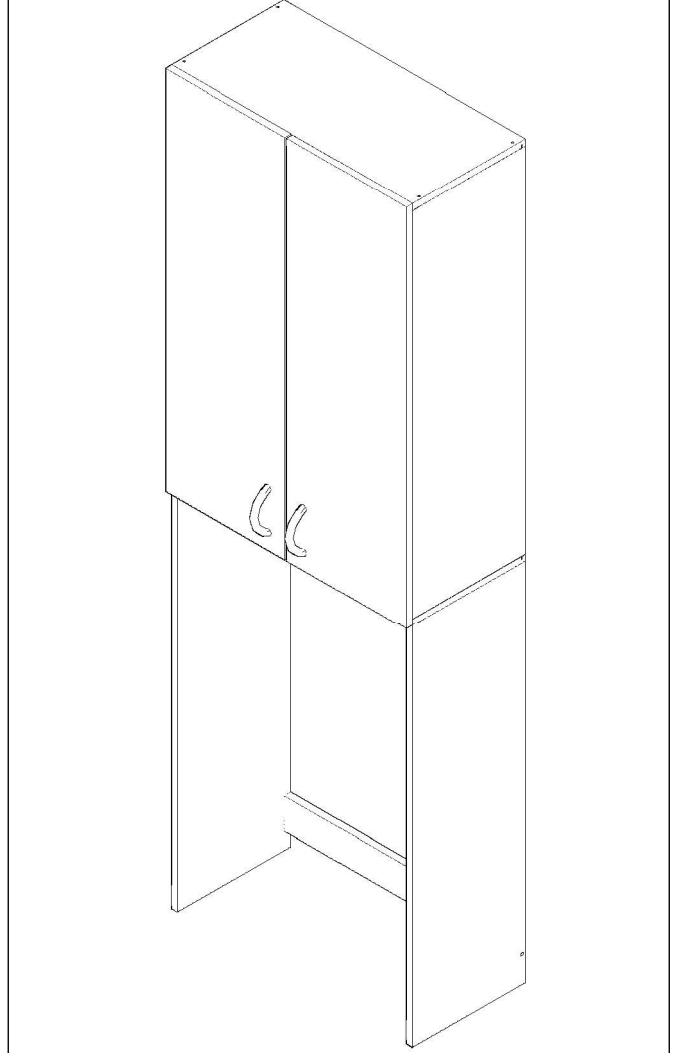
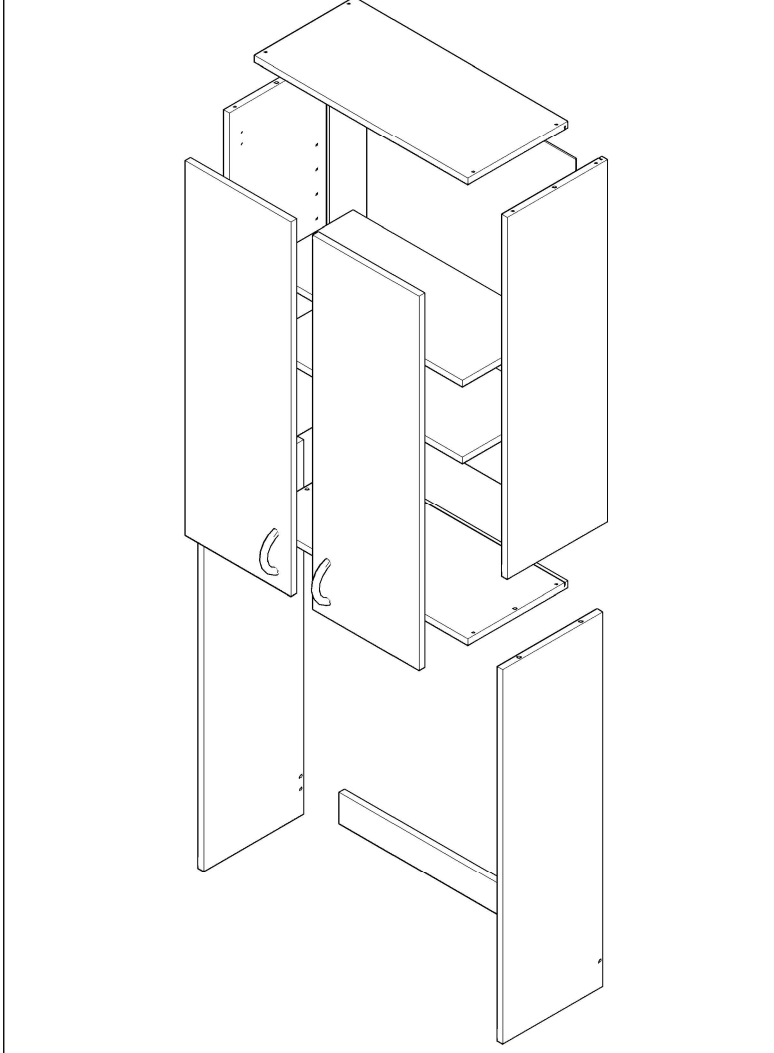


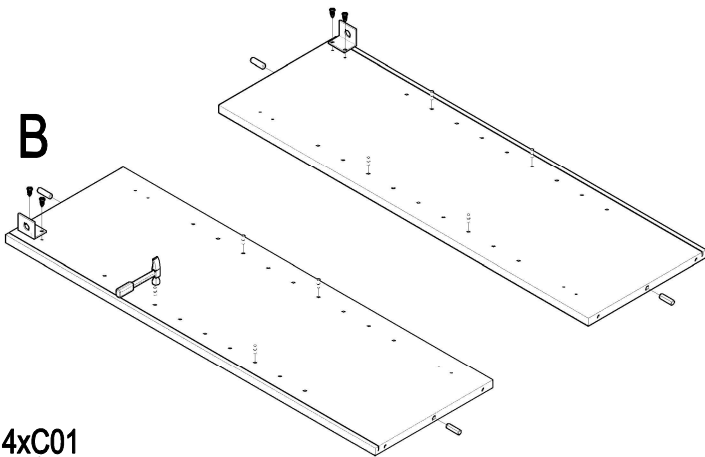
NR.81

<p>3.5x16</p>  <p>S01 x20</p>	 <p>C10 x4</p>	 <p>C11 x4</p>	 <p>B01 x4</p>	 <p>A01 x2</p>	<p>M4X22</p>  <p>S11 x4</p>
 <p>M01 x2</p>	<p>S21 x8</p>	 <p>C01 x6</p>	 <p>P01 x4</p>	 <p>S02 x10</p>	 <p>D01 x1</p>

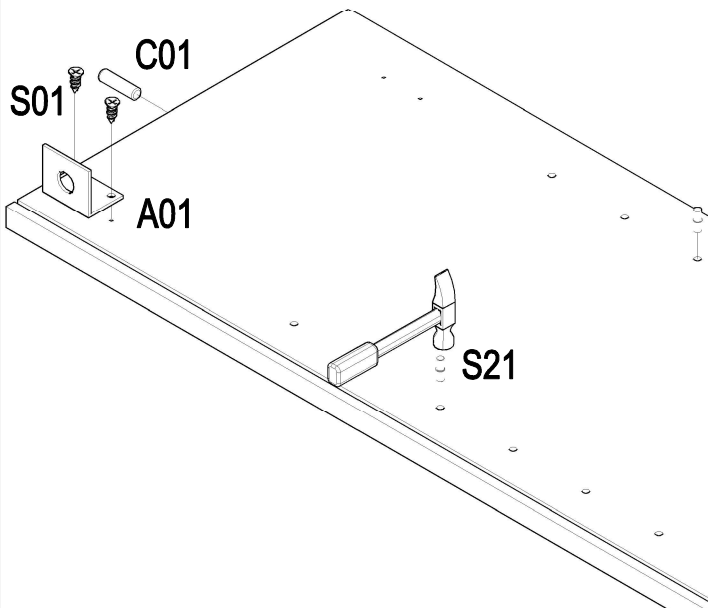


3.

B

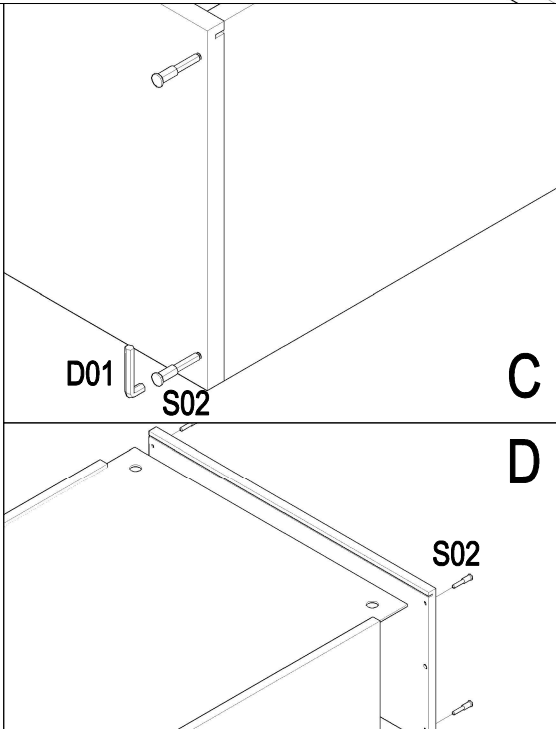
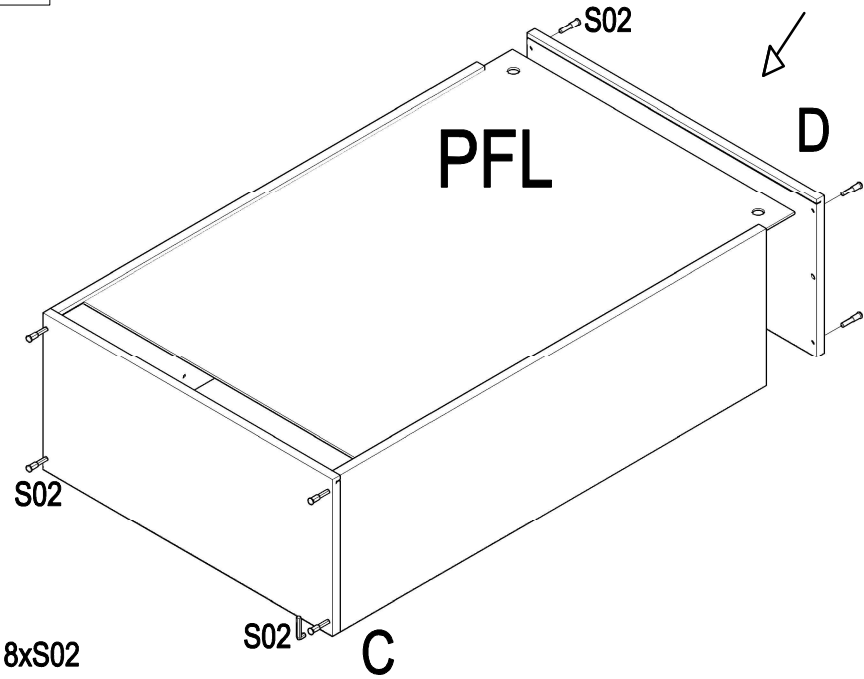


B



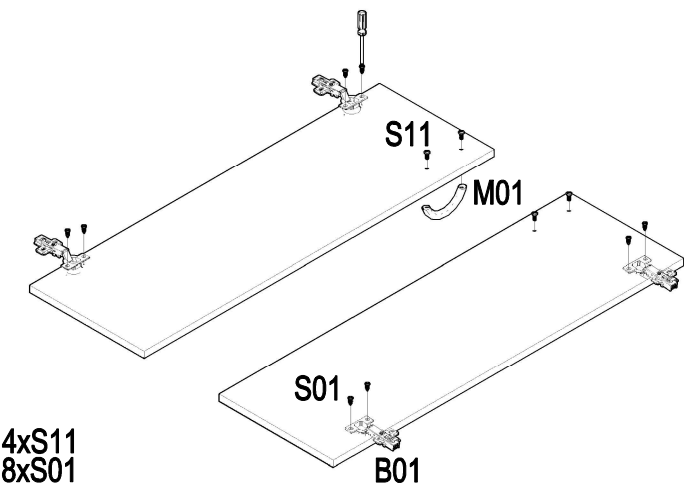
4xC01
4xS01
2xA01
8xS21

4.

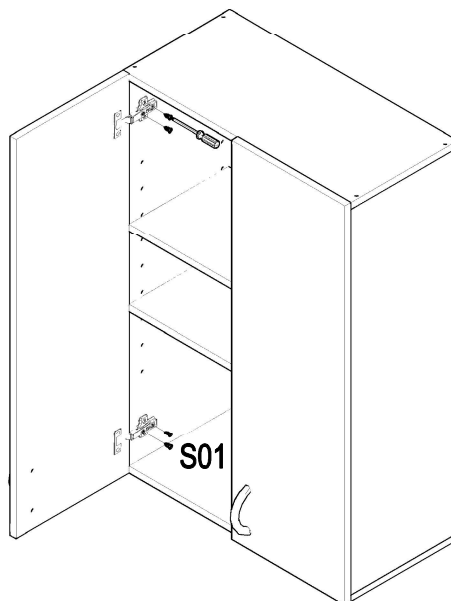


8xS02

5.



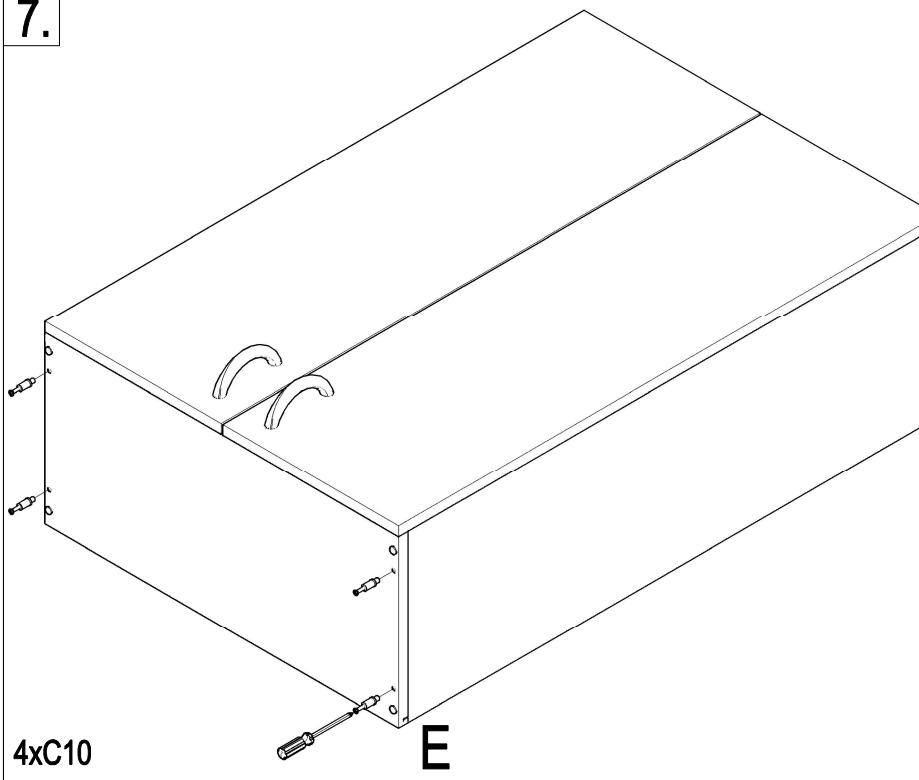
6.



4xS11
8xS01
2xM01
4xB01

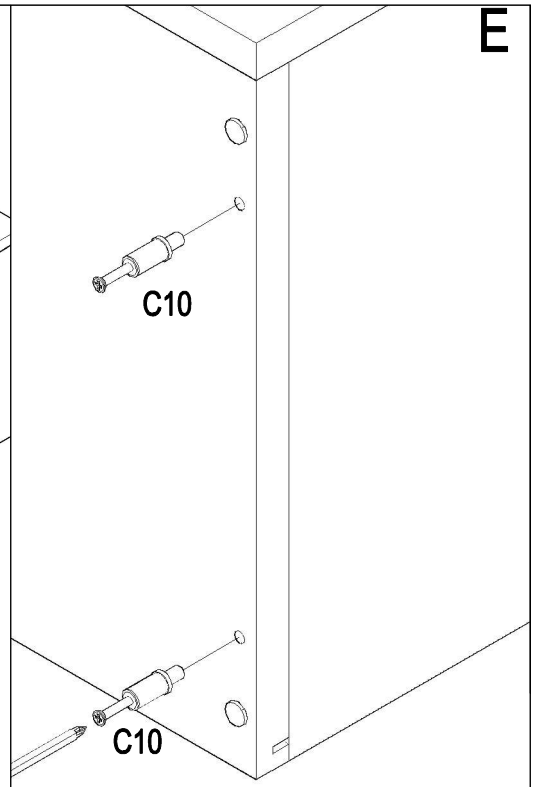
8xS01

7.



4xC10

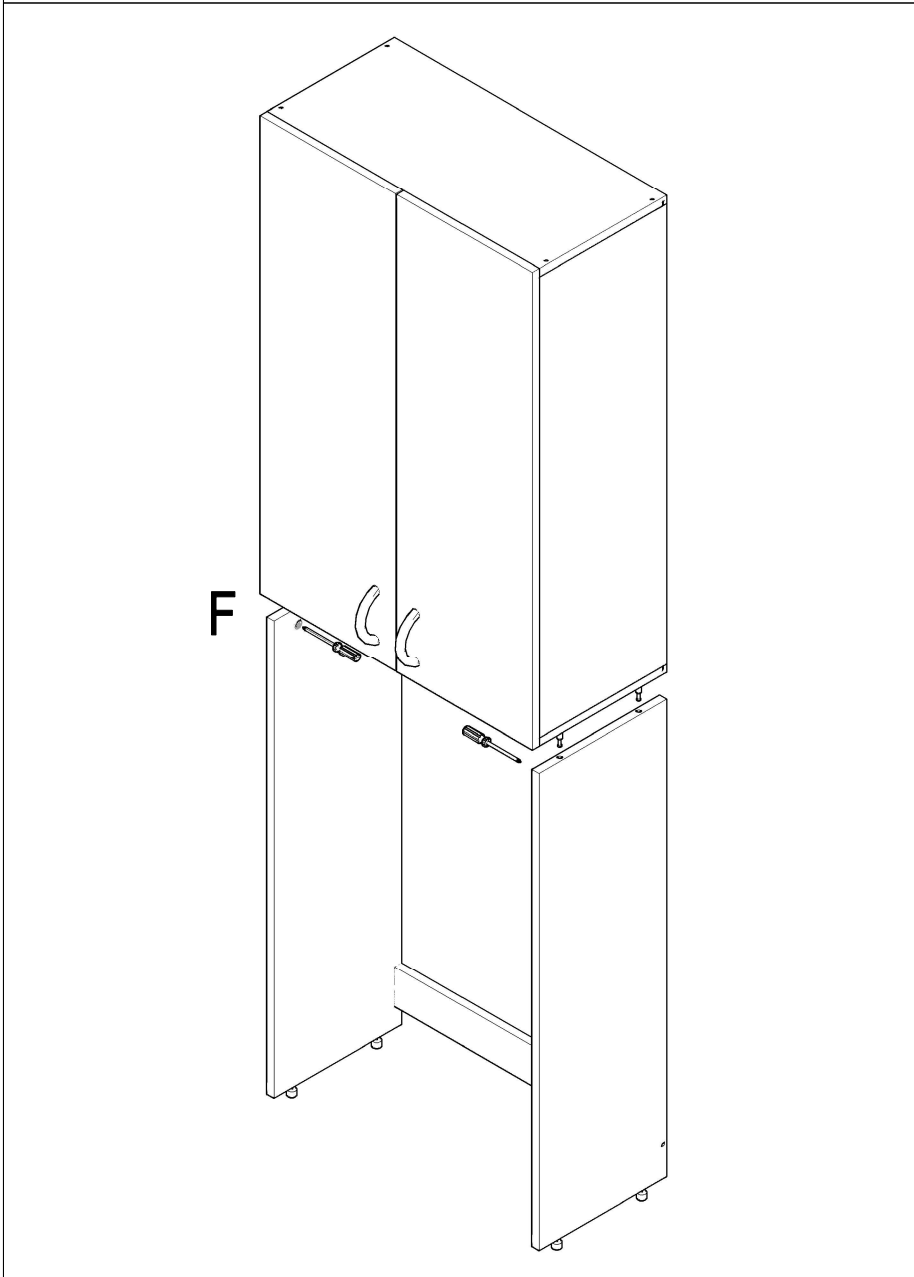
E



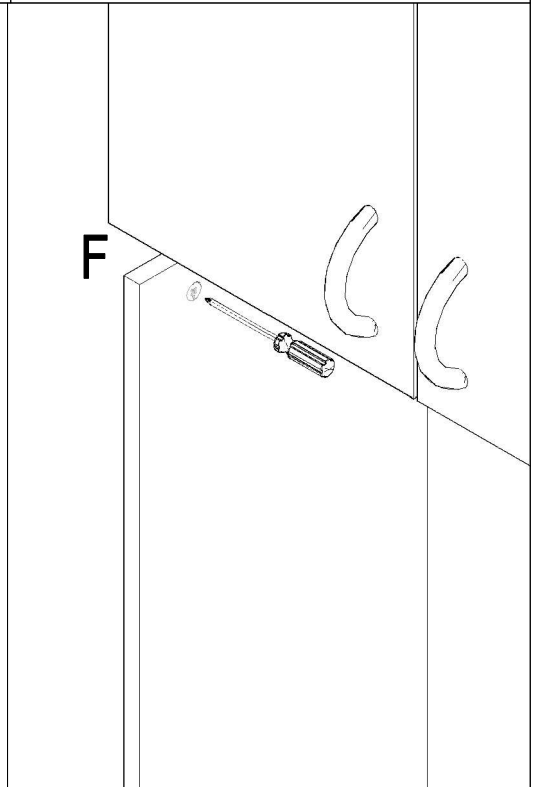
E

C10

C10



F



F